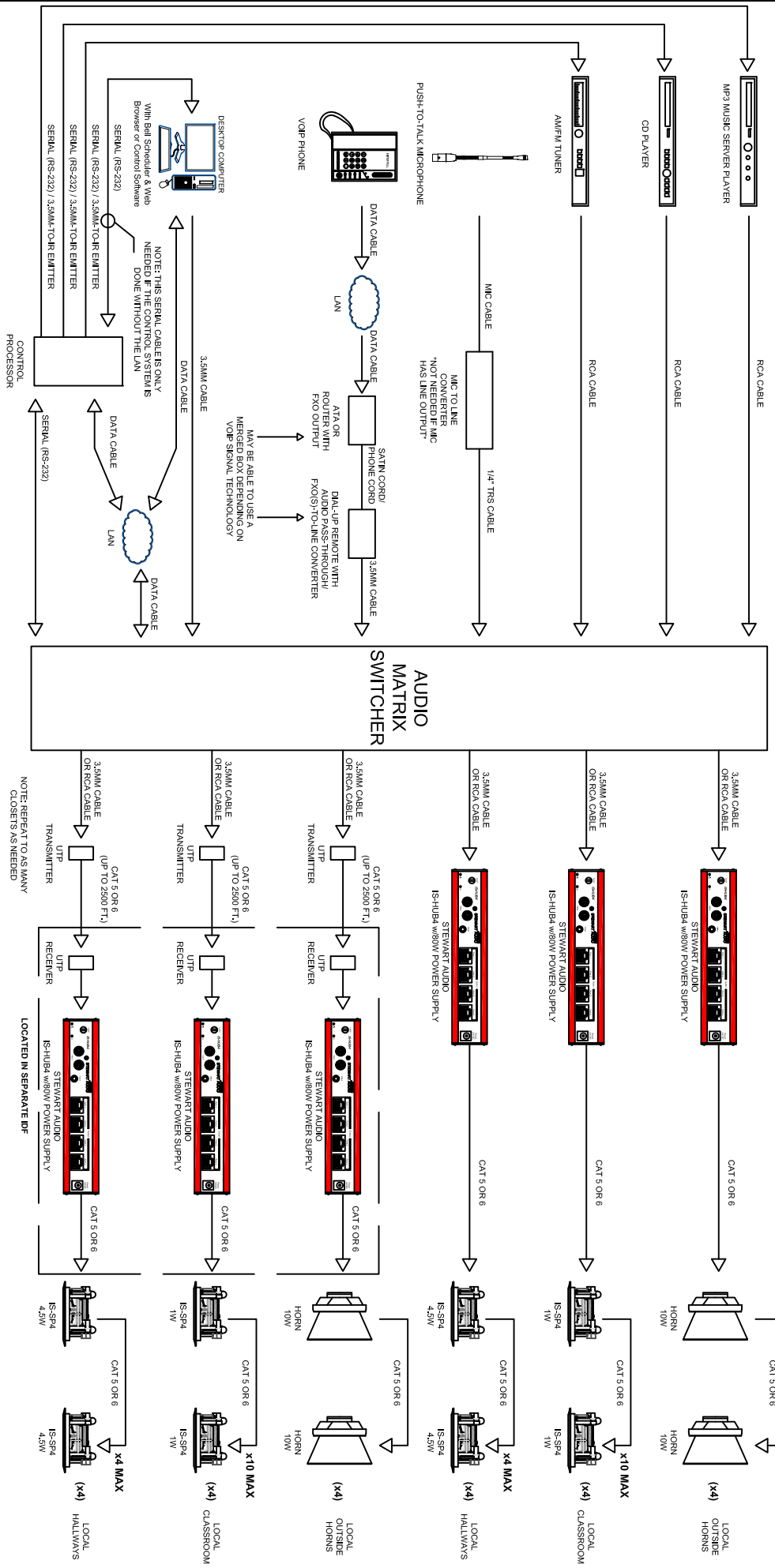


INPUTS

NOTE: LINE DRIVERS MAY BE NEEDED IF CABLE DISTANCE EXCEEDS MAXIMUM LIMITATIONS

CONTROL & PROCESSING

OUTPUTS



Multi-Zone Campus Paging System w/Stewart Audio IntraSound System



SCALE: None

DATE: 3/25/11

APPROVED BY:

This drawing is the sole property of Stewart Audio. Any unauthorized distribution of this drawing is prohibited.